



AAVID
THERMALLOY

Heat Sink for Intel® Xeon™ Potomac MP and Nocona DP Processors in 4U Servers

PASSIVE HEAT SINK FOR INTEL® XEON™ POTOMAC MP AND NOCONA DP PROCESSORS

Aavid's solution for Xeon™ Potomac MP and Nocona DP processors is designed specifically for thermal engineers who require high performance solution for multi processor 4U servers. The heat sink is based on Intel's® recommended design and meets performance requirements for both thermal performance and weight.



CRITICAL APPLICATION NEEDS:

- *Cooling capacity to support processor thermal requirements up to 200 watts*
- *Ability to withstand shock and vibration without damage*
- *Easy to attach*

FEATURES AND BENEFITS:

- *Low pressure drop design provides the necessary cooling without the addition of expensive blowers or additional fans.*
- *Design meets the weight requirements for the Intel® CEK retention system*
- *Hardware is captive to the heat sink for easy assembly to the standard CEK mounting system*

ORDERING INFORMATION:

Part Number	Description
040597	Passive heat sink for Xeon™ Potomac MP or Nocona DP Processors Includes mounting hardware for 0.093 thick PCB
040944	Passive heat sink for Xeon™ Potomac MP or Nocona DP Processors Includes mounting hardware for 0.062 thick PCB

FOR MORE INFORMATION, VISIT OUR WEB SITE: WWW.AAVIDTHERMALLOY.COM
TEL: (603) 224-9988

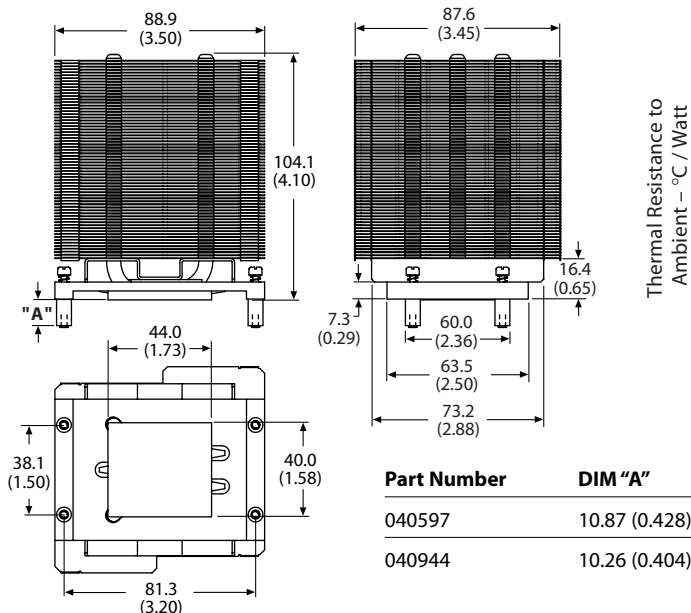


**AAVID
THERMALLOY**

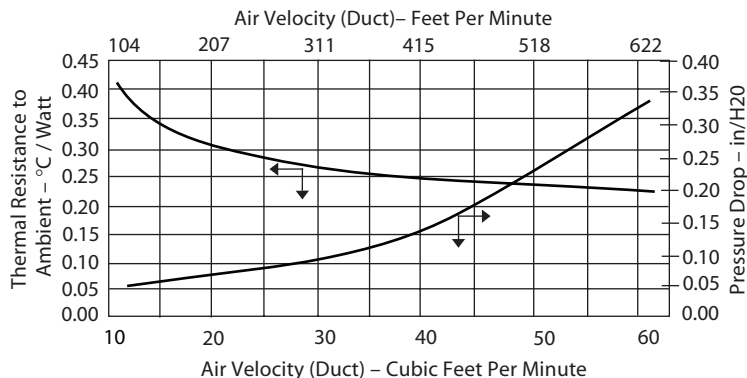
Heat Sink for Intel® Xeon™ Potomac MP and Nocona DP in 4U Servers

MECHANICAL DRAWING:

Dimensions are shown as mm (in)



THERMAL PERFORMANCE:



PHYSICAL SPECIFICATION:

Socket Type	604 pin PGA
Construction	Base plate Aluminum frame with copper slug and embedded heat pipes
	Fins Stamped aluminum fins
Thermal Interface Material¹	Shin Etsu G751 grease or x23-7783D or Honeywell phase change PCM45F recommended
Weight	550 Grams
Mechanical	Designed to meet Intel® shock and vibration requirements

NOTES:

1. Contact factory for options on pre applied grease or phase change material

TEST PARAMETERS:

Test Platform: Aavid thermal test vehicle and wind tunnel. Shin Etsu G751 grease applied

CPU Power: Tested at 120+ W

Tested in accordance with Intel test methodology with zero bypass.

North America

80 Commercial Street
Concord, NH 03301
TEL: (603) 224-9988
FAX: (603) 223-1790
EMAIL: info@aavid.com

Europe - Italy

Via Aprile,32
40057 Cadriano (BO), Italy
TEL: (39) 051 764011
FAX: (39) 051 764090
EMAIL: sales.it@aavid.com

Europe - England

Cheney Manor
Swindon
SN2 2QN
England
TEL: 44(0) 1793 401400
FAX: 44(0) 1793 615396
EMAIL: sales.uk@aavid.com

Asia - Taiwan

14F-4, NO. 79, Hsin Tai Wu RD.
SEC. 1, Hsi Chih
Taipei Hsien
Taiwan
TEL: 011(886) 2-2698-9888
FAX: 011(886) 2-2698-9808

Asia - Singapore

5 Woodlands Industrial Park E1
Singapore 757728
TEL: 65 -6362-8388
FAX: 65-6362-8588

PLEASE NOTE: Our customers are reminded that they bear the responsibility for testing Aavid Thermalloy's products for proposed use. Any information furnished by Aavid Thermalloy is believed to be accurate and reliable, but our customers must bear all responsibility for use and applications of Aavid Thermalloy products. AAVID THERMALLOY MAKES NO WARRANTIES EXPRESSED OR IMPLIED, AS TO THE FITNESS, MERCHANTABILITY, OR SUITABILITY OF ANY AAVID PRODUCTS FOR ANY SPECIFIC OR GENERAL USES. AAVID THERMALLOY SHALL NOT BE LIABLE FOR INCIDENTAL OR CONSEQUENTIAL DAMAGES OF ANY KIND. All Aavid Thermalloy products are sold pursuant to the Aavid Thermalloy Domestic Terms and Conditions of Sale in effect from time to time, a copy of which shall be furnished upon request (8911A). Copyright © Aavid Thermalloy, LLC. October 2004. All icons, drawings, illustrations, and trademarks are the property of Aavid Thermalloy, LLC. and may not be reproduced without express written permission. (10/2004)

FOR MORE INFORMATION, VISIT OUR WEB SITE: WWW.AAVIDTHERMALLOY.COM

TEL: (603) 224-9988