



AAVID
THERMALLOY

Northwood P4 Processor Fan Heat Sink

ACTIVE HEAT SINK FOR INTEL® NORTHWOOD P4 2.66 TO 2.80 GHz

Aavid's heat sink for Intel's® Northwood P4 2.66 to 2.80GHz processor is suited for the thermal designer seeking a cost effective solution for value priced desktop PCs. The heat sink extruded construction offer the necessary thermal performance but is more economical than fabricated fin solutions.



CRITICAL APPLICATION NEEDS:

- *Cost/Performance value*
- *Easy to attach*
- *System Reliability*

FEATURES AND BENEFITS:

- *Extruded design meets application requirements for performance and value*
- *Captive hardware and pre applied high performance thermal grease eases assembly*
- *Quality fan provides long reliable service life*

ORDERING INFORMATION:

Part Number	Description
11-P4E8-02	Fan Heat Sink for Intel® Northwood P4 2.66 to 2.80GHz

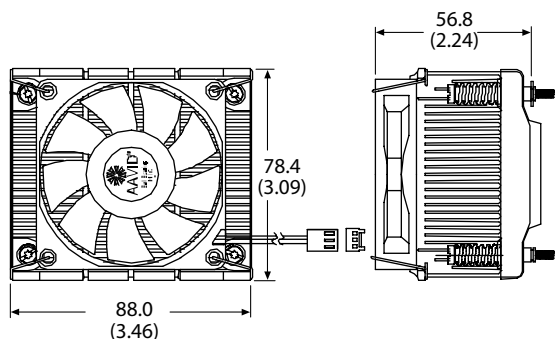
FOR MORE INFORMATION, VISIT OUR WEB SITE: WWW.AAVIDTHERMALLOY.COM
TEL: (603) 224-9988



Northwood P4 Processor Fan Heat Sink

MECHANICAL DRAWING:

Dimensions are shown as mm (in)



PHYSICAL SPECIFICATION:

Socket Type	P4/478	
Construction	Base plate	Extruded Aluminum
	Fins	Extruded Aluminum
Thermal Interface Material¹	Dow Corning 340	
Weight	390 Grams	
Fan¹	Delta AFB0712HB-FBS	
	Bearing:	1 Ball 1 Sleeve
	Material:	Plastic (UL 94V-0)
	Connector:	3P-2510
		1 Black: Negative (-) 2 Red: Positive (+) 3 Yellow: Speed Sensor

NOTES:

1. Substitutes available upon request

PERFORMANCE

	Value	Units
Thermal Performance		
Power	68.4	Watts
Fan		
Speed @ 12V	3800	RPM
Free Flow CFM	37.54	CFM
Noise (fan only)	34.5	dB-A
Operating Voltage	3.5 – 13.8	V
Reliability	50,000	Hrs

TEST PARAMETERS:

Test Platform: Aavid thermal test Vehicle
 CPU Power: 68.4W
 Follows Intel® recommended test specifications

North America

80 Commercial Street
 Concord, NH 03301
 TEL: (603) 224-9988
 FAX: (603) 223-1790
 EMAIL: info@aavid.com

Europe - Italy

Via Aprile, 32
 40057 Cadriano (BO), Italy
 TEL: (39) 051 764011
 FAX: (39) 051 764090
 EMAIL: sales.it@aavid.com

Europe - England

Cheney Manor
 Swindon
 SN2 2QN
 England
 TEL: 44(0) 1793 401400
 FAX: 44(0) 1793 615396
 EMAIL: sales.uk@aavid.com

Asia - Taiwan, R.O.C.

14F-4, NO. 79, Hsin Tai Wu RD.
 SEC. 1, Hsi Chih
 Taipei Hsien
 Taiwan, R.O.C.
 TEL: 011(886) 2-2698-9888
 FAX: 011(886) 2-2698-9808

Asia - Singapore

5 Woodlands Industrial Park E1
 Singapore 757728
 TEL: 65-6362-8388
 FAX: 65-6362-8588

PLEASE NOTE: Our customers are reminded that they bear the responsibility for testing Aavid Thermalloy's products for proposed use. Any information furnished by Aavid Thermalloy is believed to be accurate and reliable, but our customers must bear all responsibility for use and applications of Aavid Thermalloy products. AAVID THERMALLOY MAKES NO WARRANTIES EXPRESSED OR IMPLIED, AS TO THE FITNESS, MERCHANTABILITY, OR SUITABILITY OF ANY AAVID PRODUCTS FOR ANY SPECIFIC OR GENERAL USES. AAVID THERMALLOY SHALL NOT BE LIABLE FOR INCIDENTAL OR CONSEQUENTIAL DAMAGES OF ANY KIND. All Aavid Thermalloy products are sold pursuant to the Aavid Thermalloy Domestic Terms and Conditions of Sale in effect from time to time, a copy of which shall be furnished upon request (8911A). Copyright © Aavid Thermalloy, LLC. July 2004. All icons, drawings, illustrations, and trademarks are the property of Aavid Thermalloy, LLC. and may not be reproduced without express written permission. (7/2004)

FOR MORE INFORMATION, VISIT OUR WEB SITE: WWW.AAVIDTHERMALLOY.COM
 TEL: (603) 224-9988