



AAVID
THERMALLOY

Northwood P4 Processor Fan Heat Sink

ACTIVE HEAT SINK FOR INTEL® NORTHWOOD P4 3.2 GHz AND ABOVE

Aavid's heat sink for Intel's® Northwood P4 processor with clock speeds of 3.20GHz and above is designed for engineers seeking a cost effective solution for mainstream desktop PCs. The heat sink uses all aluminum construction for effective thermal performance and better value than full copper designs.



CRITICAL APPLICATION NEEDS:

- *Cost/Performance value*
- *Ability to withstand shock and vibration without damage*
- *Easy to attach*
- *System Reliability*

FEATURES:

- *Aluminum design meets application requirements for performance and value*
- *Rugged light weight design reduces stress on motherboard and simplifies chassis design*
- *Retention clips and pre applied high performance thermal grease allow "No Tools" assembly*
- *Quality fan provides long reliable service life*

ORDERING INFORMATION:

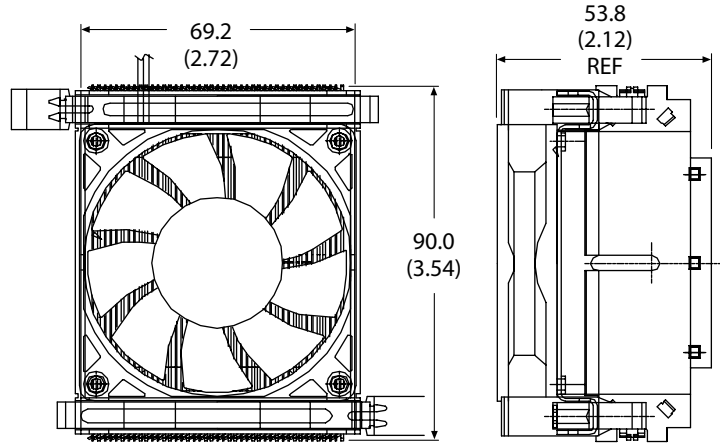
Part Number	Description
D171-6	Fan heat sink for Intel® Northwood P4 3.2 GHz and above with mounting clips

FOR MORE INFORMATION, VISIT OUR WEB SITE: WWW.AAVIDTHERMALLOY.COM
TEL: (603) 224-9988



MECHANICAL DRAWING:

Dimensions are shown as mm (in)



PHYSICAL SPECIFICATION:

Socket Type	P4/478	
Construction	Base plate	Aluminum
	Fins	Aluminum Zipper Fin
Thermal Interface Material¹	Shin-Etsu G751Grease	
Weight	268 Grams	
Mechanical	Designed to meet Intel® shock and vibration requirements	
Fan¹	Delta AFB0712HHB-FBS	
	Bearing:	1 Ball 1Sleeve
	Material:	Plastic (UL 94V-0)
	Connector:	3P-2510
		1 Black: Negative (-) 2 Red: Positive (+) 3 Yellow: Speed Sensor

PERFORMANCE

	Value	Units
Thermal Performance		
Power	94	Watts
θ Case to ambient	0.39	°C/W
Fan		
Speed @ 12V	4300	RPM
Free Flow CFM	37.54	CFM
Noise (fan only)	38.5	dB-A
Operating Voltage	7.0 – 13.8	V
Reliability	40,000	Hrs

TEST PARAMETERS:

Test Platform: Aavid Northwood thermal test vehicle
 CPU Power: 94
 Follows Intel® recommended test specifications

NOTES:

1. Substitutes available upon request

<p>North America 80 Commercial Street Concord, NH 03301 TEL: (603) 224-9988 FAX: (603) 223-1790 EMAIL: info@aavid.com</p>	<p>Europe - Italy Via Aprile,32 40057 Cadriano (BO), Italy TEL: (39) 051 764011 FAX: (39) 051 764090 EMAIL: sales.it@aavid.com</p>	<p>Europe - England Cheney Manor Swindon SN2 2QN England TEL: 44(0) 1793 401400 FAX: 44(0)1793 615396 EMAIL: sales.uk@aavid.com</p>	<p>Asia - Taiwan, R.O.C. 14F-4, NO. 79, Hsin Tai Wu RD. SEC. 1, Hsi Chih Taipei Hsien Taiwan, R.O.C. TEL: 011(886) 2-2698-9888 FAX: 011(886) 2-2698-9808</p>	<p>Asia - Singapore 5 Woodlands Industrial Park E1 Singapore 757728 TEL: 65 -6362-8388 FAX: 65-6362-8588</p>
---	--	---	---	---

PLEASE NOTE: Our customers are reminded that they bear the responsibility for testing Aavid Thermalloy's products for proposed use. Any information furnished by Aavid Thermalloy is believed to be accurate and reliable, but our customers must bear all responsibility for use and applications of Aavid Thermalloy products. AAVID THERMALLOY MAKES NO WARRANTIES EXPRESSED OR IMPLIED, AS TO THE FITNESS, MERCHANTABILITY, OR SUITABILITY OF ANY AAVID PRODUCTS FOR ANY SPECIFIC OR GENERAL USES. AAVID THERMALLOY SHALL NOT BE LIABLE FOR INCIDENTAL OR CONSEQUENTIAL DAMAGES OF ANY KIND. All Aavid Thermalloy products are sold pursuant to the Aavid Thermalloy Domestic Terms and Conditions of Sale in effect from time to time, a copy of which shall be furnished upon request (8911A). Copyright © Aavid Thermalloy, LLC. July 2004. All icons, drawings, illustrations, and trademarks are the property of Aavid Thermalloy, LLC. and may not be reproduced without express written permission. (7/2004)